

TeleEye Quick Start Guide

HD Digital Video Recorder GN6608 / GN6516 / GN6916

This quick start guide will guide you how to install and configure TeleEye HD Digital Video Recorder GN6608/GN6516/GN6916.

1. Hard Disk Installation

* For HDD recommendation list, please visit

<http://www.teleeye.com/>, [Products] → [GN Series] → [HDD Recommendation List]

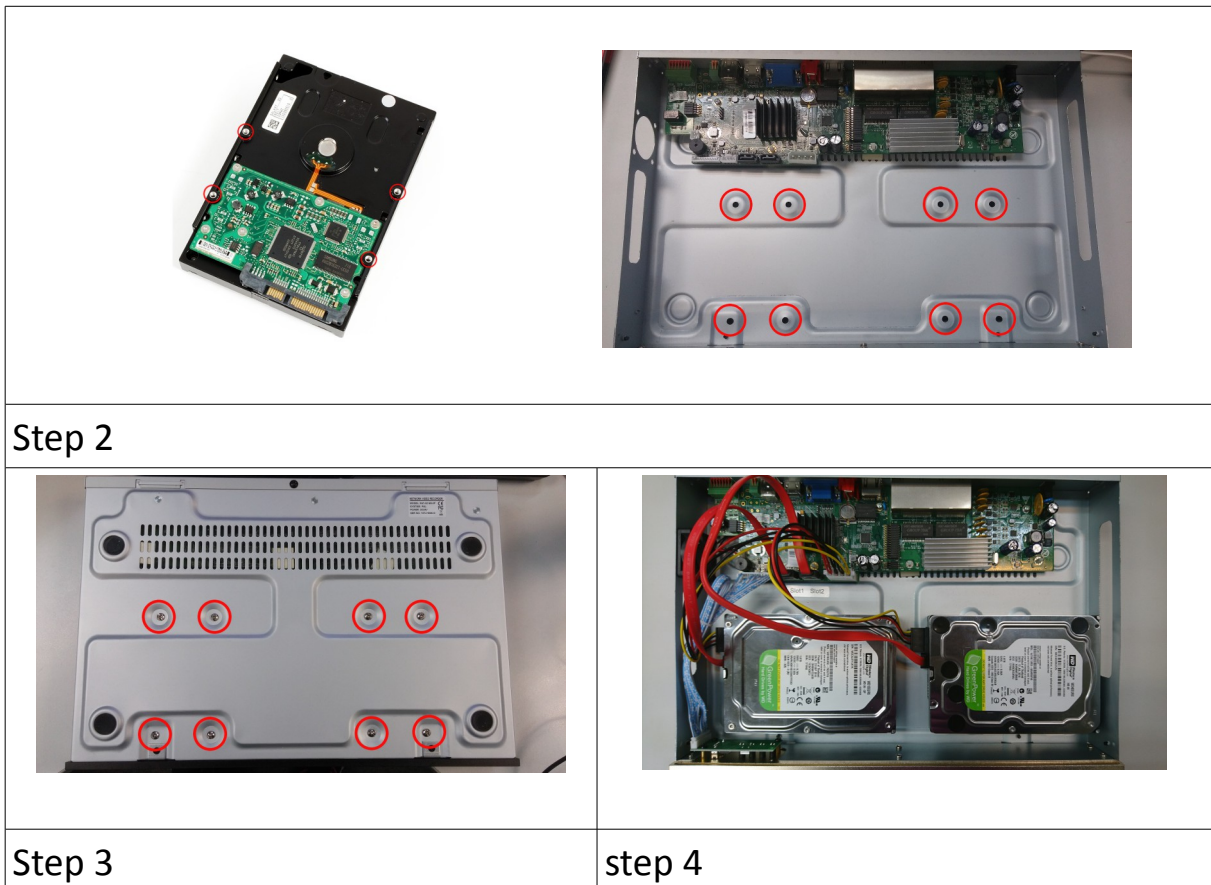
GN6608 /GN6516

Step 1: Loosen the screws that hold the cover.

Step 2: Pull off the cover and put HDD into bottom case. Ensure the screw holds are aligned.

Step 3: Mount the HDD on the bottom case with attached screws.

Step 4: Connect the SATA and power cable to the HDD.



GN6916

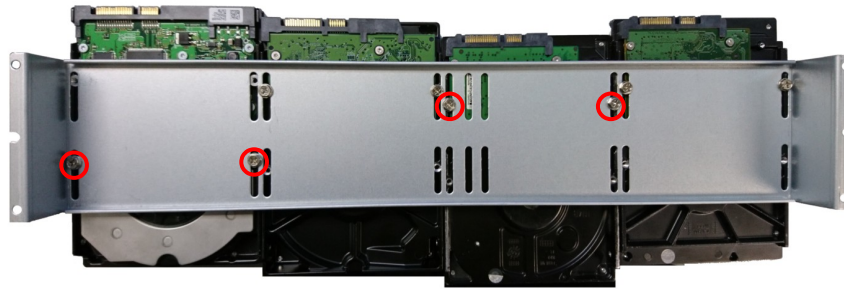
Step 1: Loosen the screws that hold the cover.

Step 2: Pull off the cover and take out hard disk holder.

Step 3: Mount the HDD on the hard disk holder with attached screws. Maximum 8HDD can be install.

Step 4: Mount the hard disk holder to Teleeye GN.

Step 5: Connect the SATA and power cable to the HDD.



Step 3



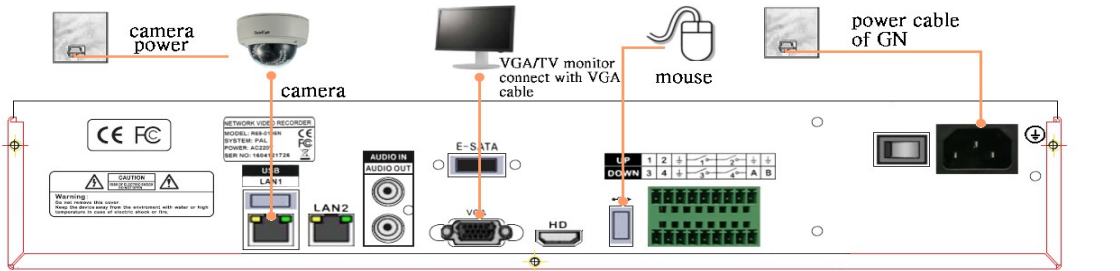
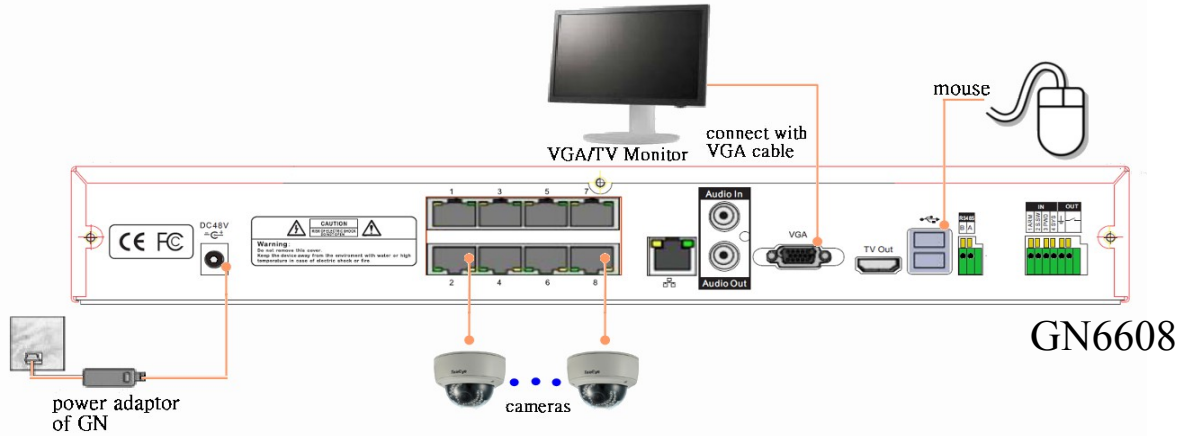
Step 4



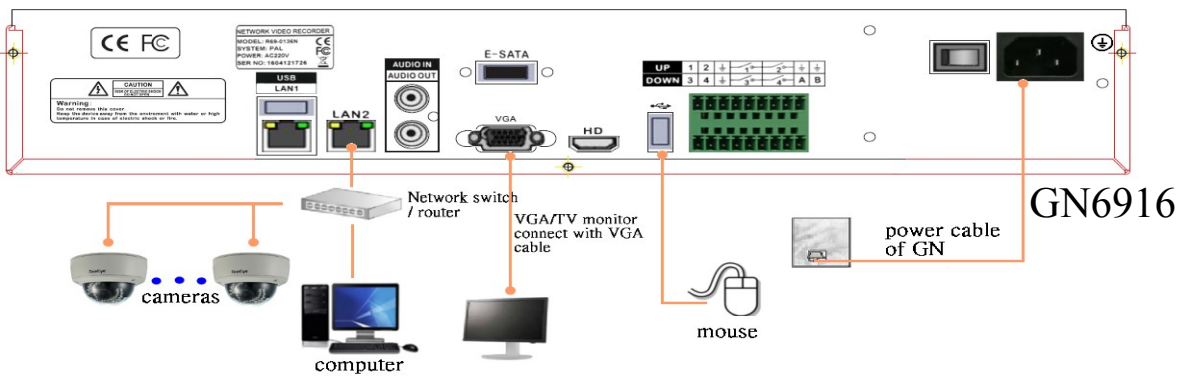
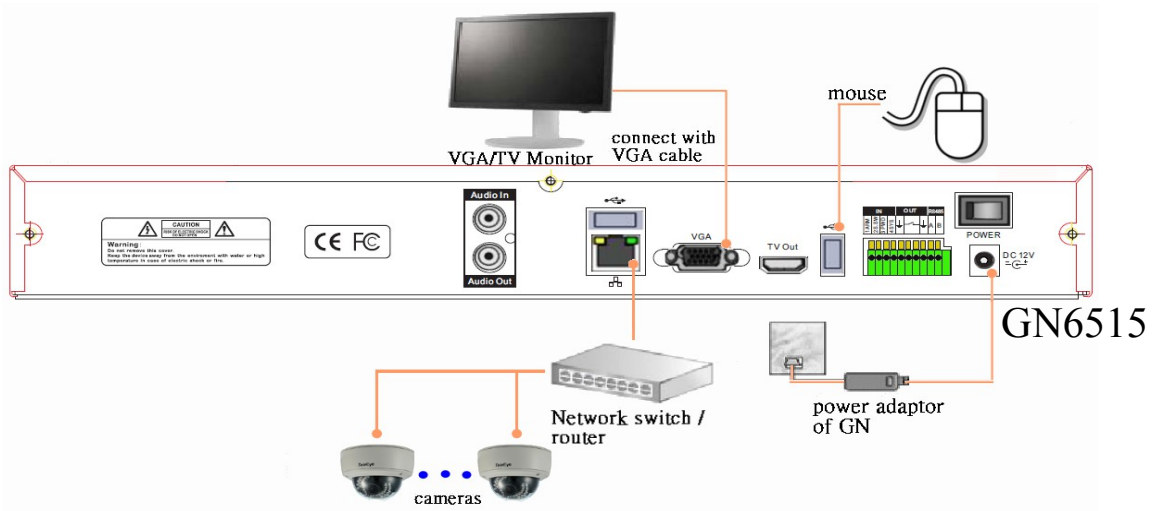
Step 5

2. Setup for Local and Remote Monitoring

Dedicated Video Network

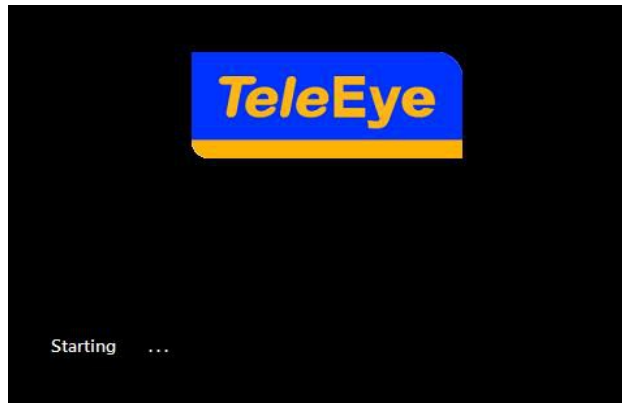


Shared IP Network



Step 1: Follow above to install cameras to the video ports of TeleEye GN.

Step 2: Power on TeleEye GN. A startup screen will appear on the connected monitor.

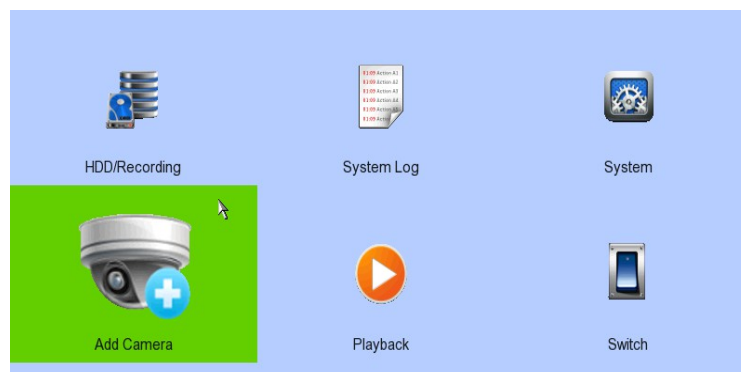


3. Adding New Camera


Dedicated Video Network


Cameras will be search automatically after install camera to the video ports of TeleEye GN6608.

Shared IP Network



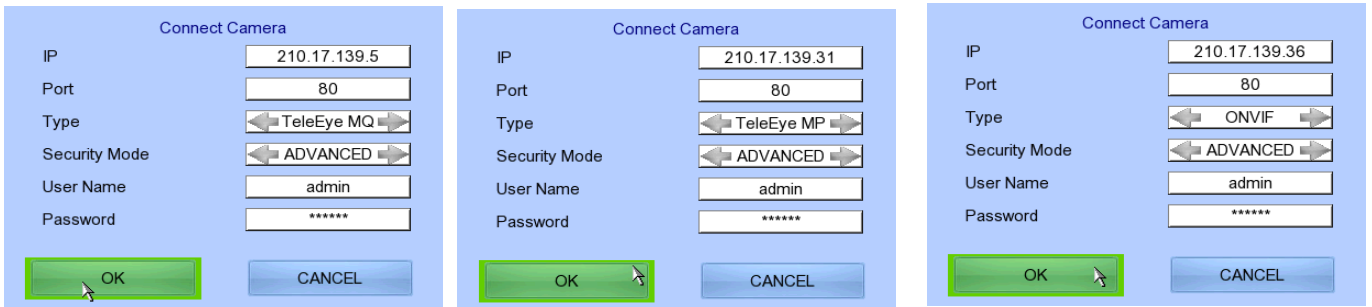
Step 1: [Main Menu] → [Add Camera]

Step 2: Click  to search cameras. The details of cameras such as CAM number, IP port, Type, Model, Status will shown on the screen.

Step 3: Select the camera you want to add, click  to edit camera information.

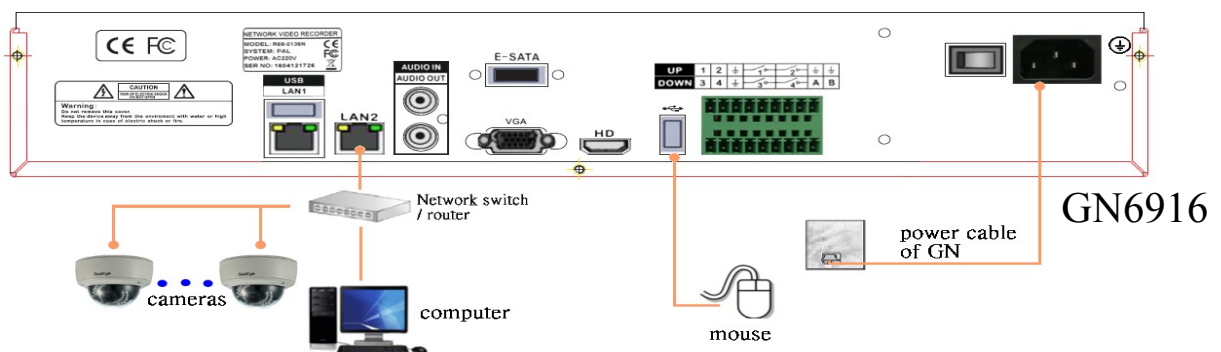
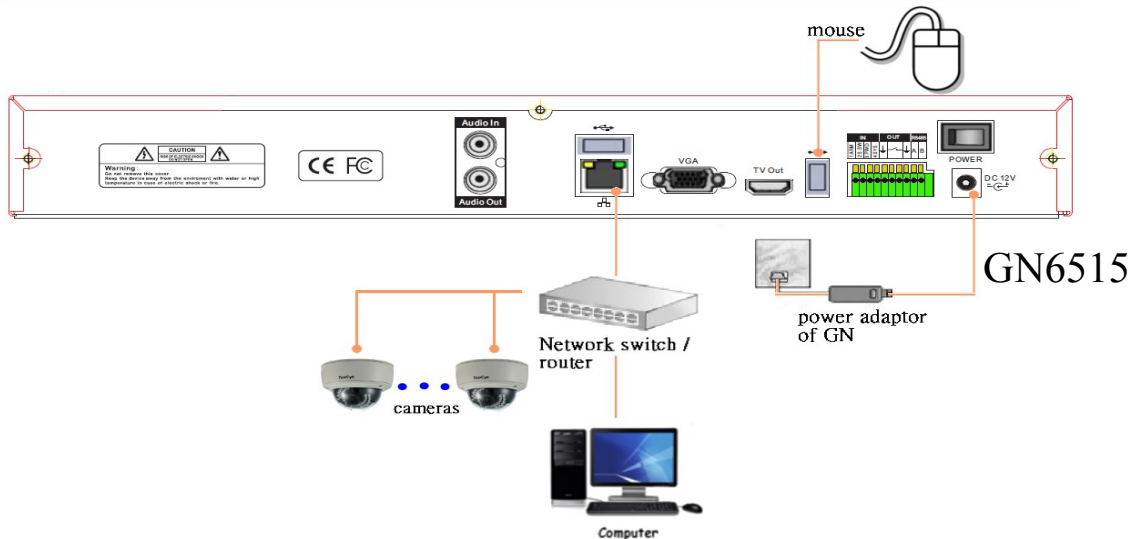
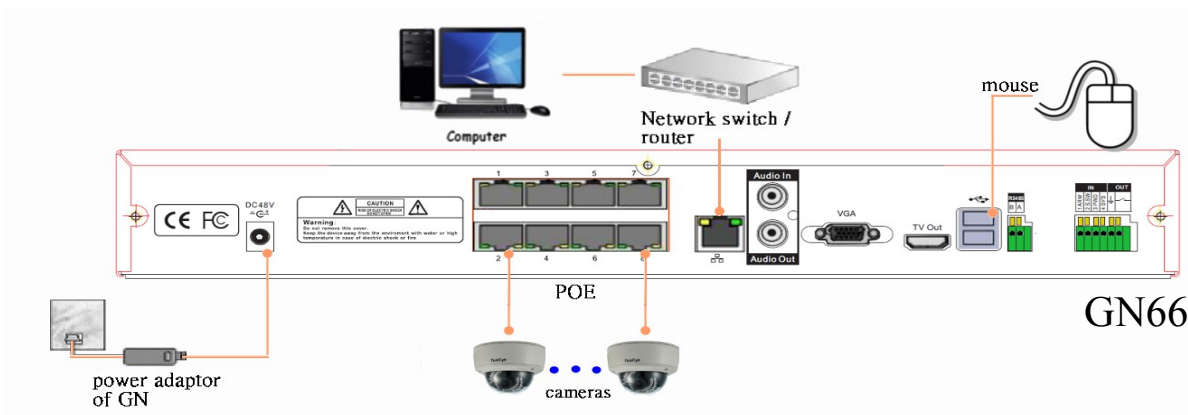
Step 4: Click [OK] to connect. There are three type of cameras: TeleEye MQ, TeleEye MP and ONVIF. Please make sure that you have selected the corresponding type of cameras.

(Whatever the type of cameras you selected, you are requested to enter the username and password.)



(For TeleEye MQ / MP, the default user name is "admin" and the password is "123456".)

4. Setup for LAN Connection



Step 1: Connect cameras to the video ports of TeleEye GN. (GN6608 ONLY)

Step 2: Connect TeleEye GN to the network switch.

Step 3: Install TeleEye IP Setup Utility in PC.

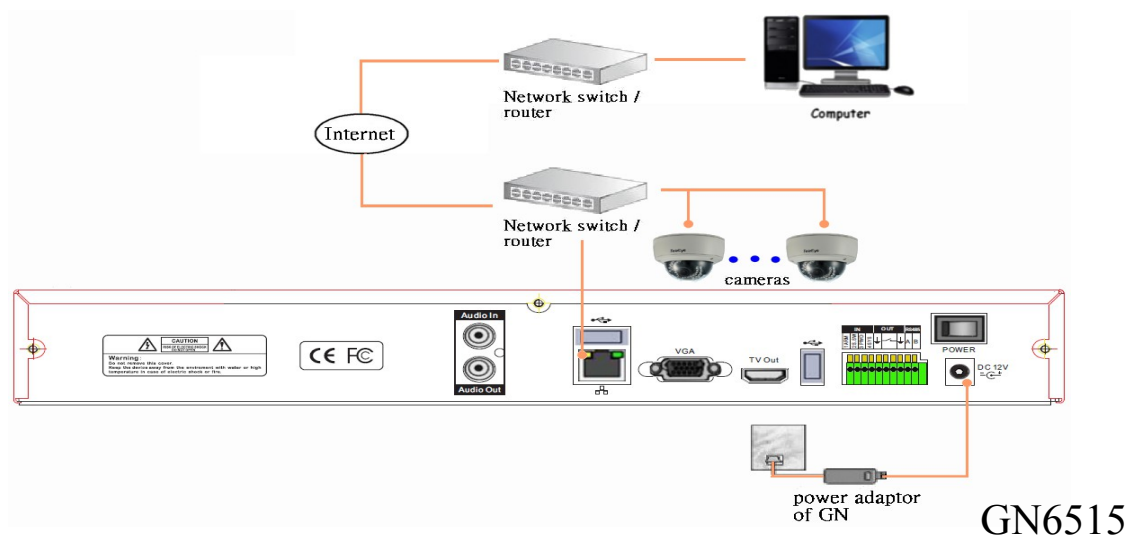
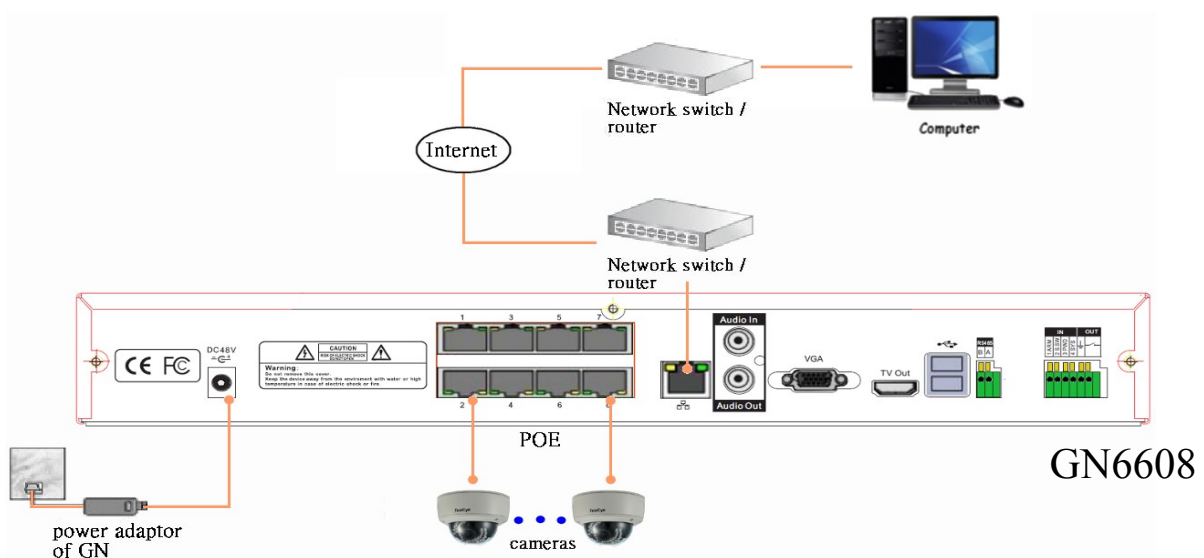
Step 4: Find the TeleEye GN according to the serial number provided.

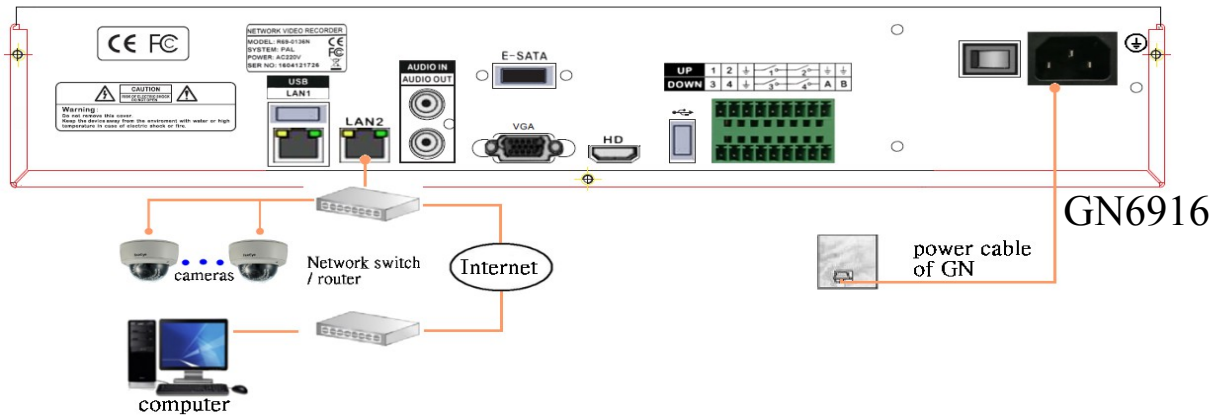
Step 5: Double click the row representing the digital video recorder.

Step 6: A web browser should be opened automatically. Enter the user name and password.



5. Setup for Broadband Internet Connection



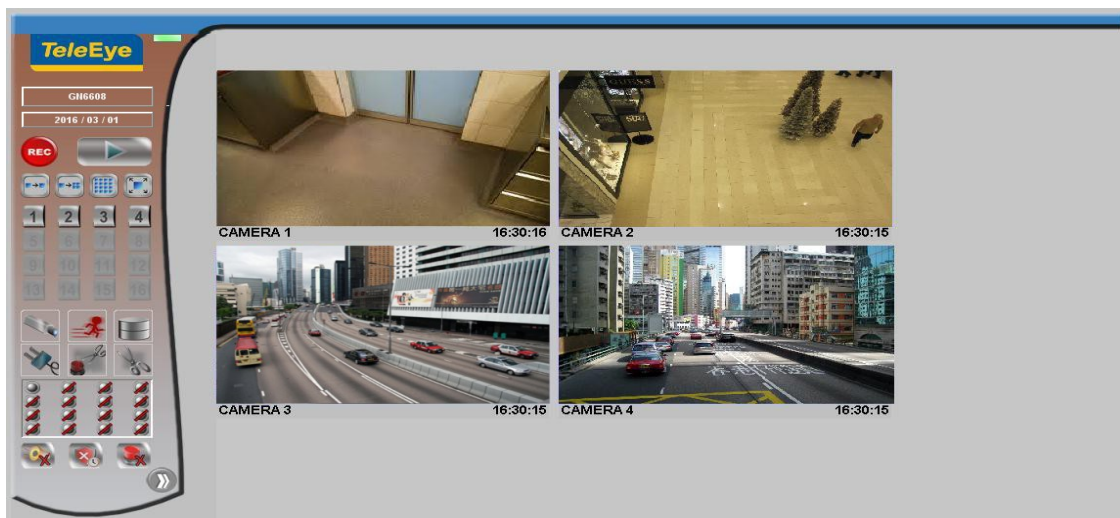


Step 1: Configure the network settings of TeleEye GN through PC with LAN connection.

Step 2: Run IP Setup Utility. Find the TeleEye GN according to the serial number provided.

Step 3: An alternative method, open a web browser and type the IP address or *sureLINK* address in a web browser.

Step 4: Enter the user name and password.



6. Default user name and password

The default administrator password is "0"+"digits of serial number". Here is an example:

Serial Number : GNS11529

User Name : admin

Default Password : 011529

Warranty

Conditions, Limitations and Liabilities of This Warranty:

1. Signal Communications Ltd. (hereinafter called TeleEye) provides free repairing labour and free repairing parts for the first 12 months. Please present the Warranty Card and the original invoice when you are asking for service support.
2. In case of applicable, TeleEye staff shall request a remote access inspection or trouble shooting through internet, PSTN, ISDN, or mobile media.
3. When service is required, the Customer is responsible for all the transportation costs.
4. Outdoor services are not included. Subject to TeleEye, outdoor services will be provided at extra charges.
5. This warranty does not extend to cover any damages or malfunction resulting from disaster, environmental factor, abnormal humidity/temperature, improper voltage, electrostatic discharge, misuse, negligence, ignorance, accident, mold, or repairs /modifications made by any person(s) other than the authorized personnel of TeleEye.
6. TeleEye reserves the right to charge Customer an inspection fee, on-site service fee or cost of parts if (i) no fault in the equipment can be found during inspection or (ii) the defect is caused at conditions those mentioned in point 5 above or (iii) Customer fail in providing access methods to the site or the equipment, e.g. specified access permit or key. Such determination is up to the sole discretion of TeleEye.
7. The warranty is void if any of the cabinet seal has been removed or opened if there is any such sign not being made by any authorized personnel of TeleEye.
8. Under no circumstance shall TeleEye be liable for any damages to any parties so caused by the usage of the above specified equipment or so caused during service provision.
9. The conditions, limitations and liabilities of this warranty card may be extended to further terms and conditions or superseded by other terms and conditions when otherwise specified on any of the products.
10. Customer shall be responsible for backing up the data contained in the disk products.
11. TeleEye shall have no responsibility arising out of any damage to, or loss of the data contained in the disk products.
12. All the above determinations are up to the sole discretion of TeleEye.

Signal Communications Limited (a member of TeleEye Group)

Flat 2307-2310, 23/F, Laford Centre, 838 Lai Chi Kok Road, Kowloon, Hong Kong.

Tel: (852) 2995 5900 Fax: (852) 2995 5901 Support: (852) 2995 5700 Email: support@TeleEye.com

Oversea offices contact details are listed at official web page: www.TeleEye.com